



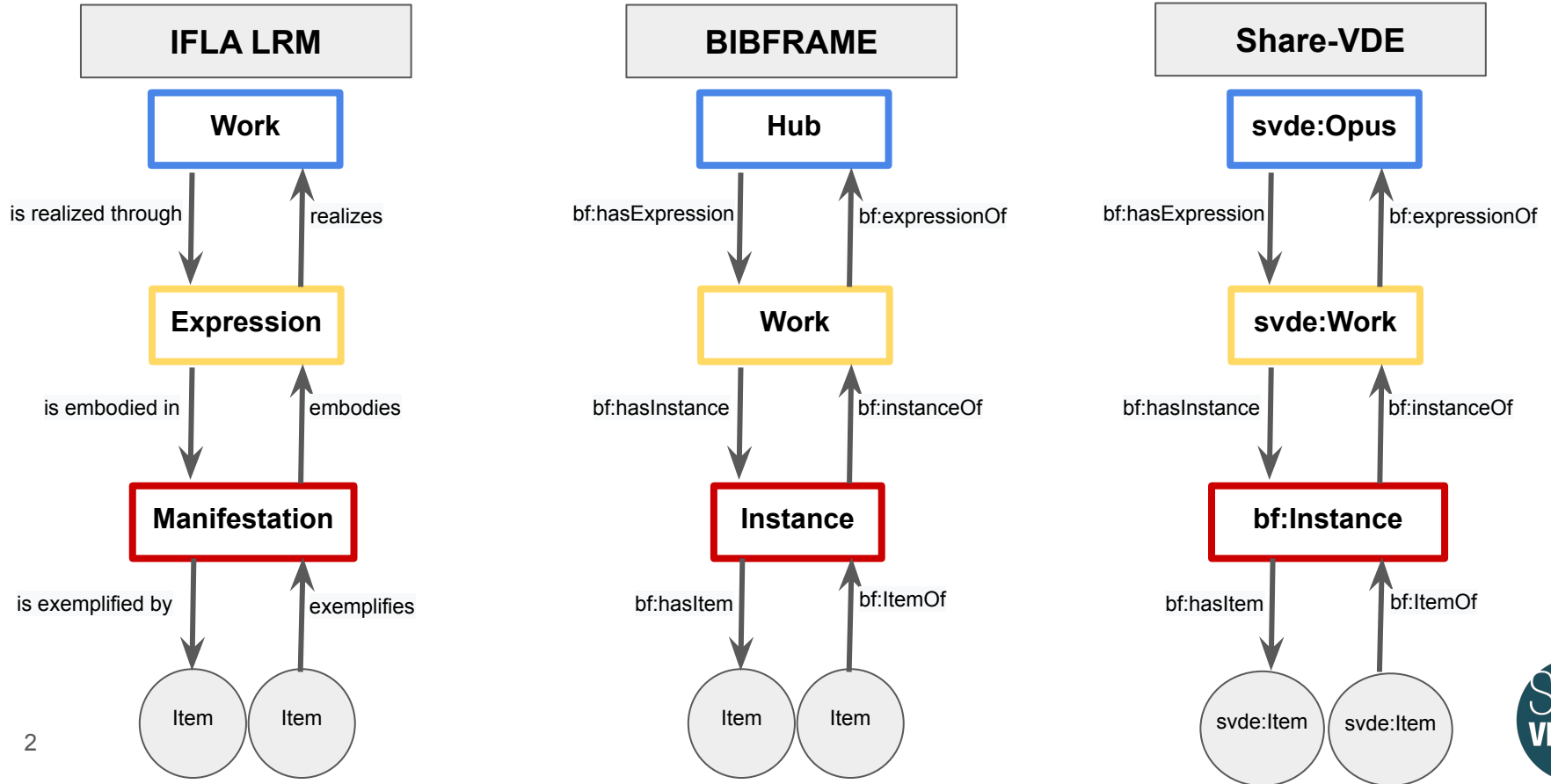
IFLA-LRM vs. BIBFRAME vs. Share-VDE

Comparison between entity models

http://bit.ly/Comparison_LRM-BF-SVDE

<https://wiki.svde.org>

Comparison IFLA-LRM/BIBFRAME/Share-VDE



Entity definitions: IFLA-LRM

Work: the intellectual or artistic content of a distinct creation.

Expression: a distinct combination of signs conveying intellectual or artistic content.

Manifestation: a set of all carriers that are assumed to share the same characteristics as to intellectual or artistic content and aspects of physical form. That set is defined by both the overall content and the production plan for its carrier or carriers.

Item: an object or objects carrying signs intended to convey intellectual or artistic content.

Source: https://www.ifla.org/files/assets/cataloguing/frbr-lrm/ifla-lrm-august-2017_rev201712.pdf

Entity definitions: BIBFRAME

Hub

<<http://id.loc.gov/entities/hubs/1234>><<http://www.w3.org/1999/02/22-rdf-syntax-ns#type>>

<<http://id.loc.gov/ontologies/bflc/Hub>>

<<http://id.loc.gov/entities/hubs/1234>><<http://www.w3.org/1999/02/22-rdf-syntax-ns#type>>

<<http://id.loc.gov/ontologies/bibframe/Opus>>

The Hub is a bflc Opus type identifier. The bf:Opus is an entity that permits the grouping of works that are considered functional or near equivalents. The opus is defined by a constellation of elements that form the shared content of BIBFRAME works.

Work: <http://id.loc.gov/ontologies/bibframe/Work>: resource reflecting a conceptual essence of a cataloging resource.

Instance: <http://id.loc.gov/ontologies/bibframe/Instance>: resource reflecting an individual, material embodiment of a Work.

Item: <http://id.loc.gov/ontologies/bibframe/Item>: single example of an Instance.

Source: <http://id.loc.gov/ontologies/bibframe.html>



Entity definitions: Share-VDE

Opus: <<http://share-vde.org/rdfBibframe/Opus/1234>><<http://www.w3.org/1999/02/22-rdf-syntax-ns#type>>
<<http://share-vde.org/rdfBibframe/Opus/>>
<<http://share-vde.org/rdfBibframe/Opus/1234>><<http://www.w3.org/1999/02/22-rdf-syntax-ns#type>>
<<http://id.loc.gov/ontologies/bibframe/Opus>>

The Opus is a Share-VDE BIBFRAME Opus type identifier. The bf:Opus is an entity that permits the grouping of works that are considered functional or near equivalents. The opus is defined by a constellation of elements that form the shared content of BIBFRAME works.

Work: <http://id.loc.gov/ontologies/bibframe/Work>:

A work is a resource reflecting the conceptual essence of a cataloguing resource. A work is defined by a constellation of elements representing the specific intellectual or artistic form that an opus takes each time it is “realized”, paired with related elements required to define the conceptual essence of said realization.

Instance: <http://id.loc.gov/ontologies/bibframe/Instance>: resource reflecting an individual, material embodiment of a Work.

Item: <http://id.loc.gov/ontologies/bibframe/Item>: single example of an Instance.

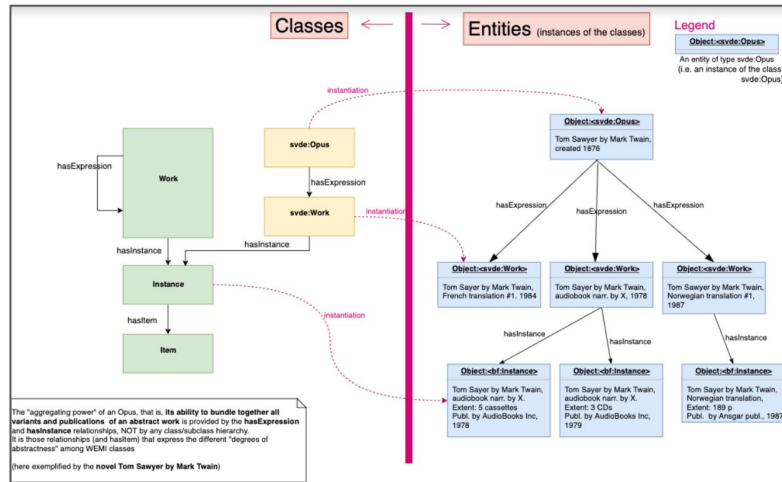
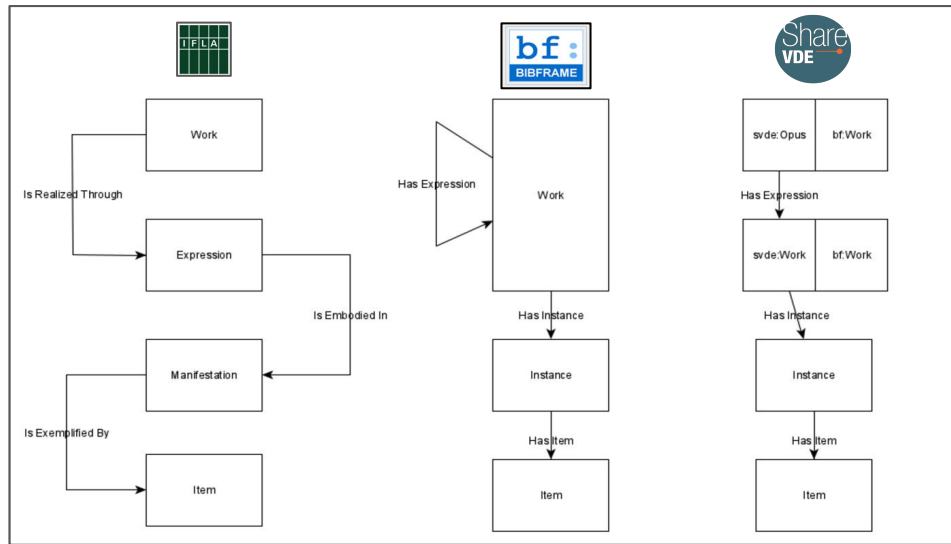


The challenge of data models interoperability

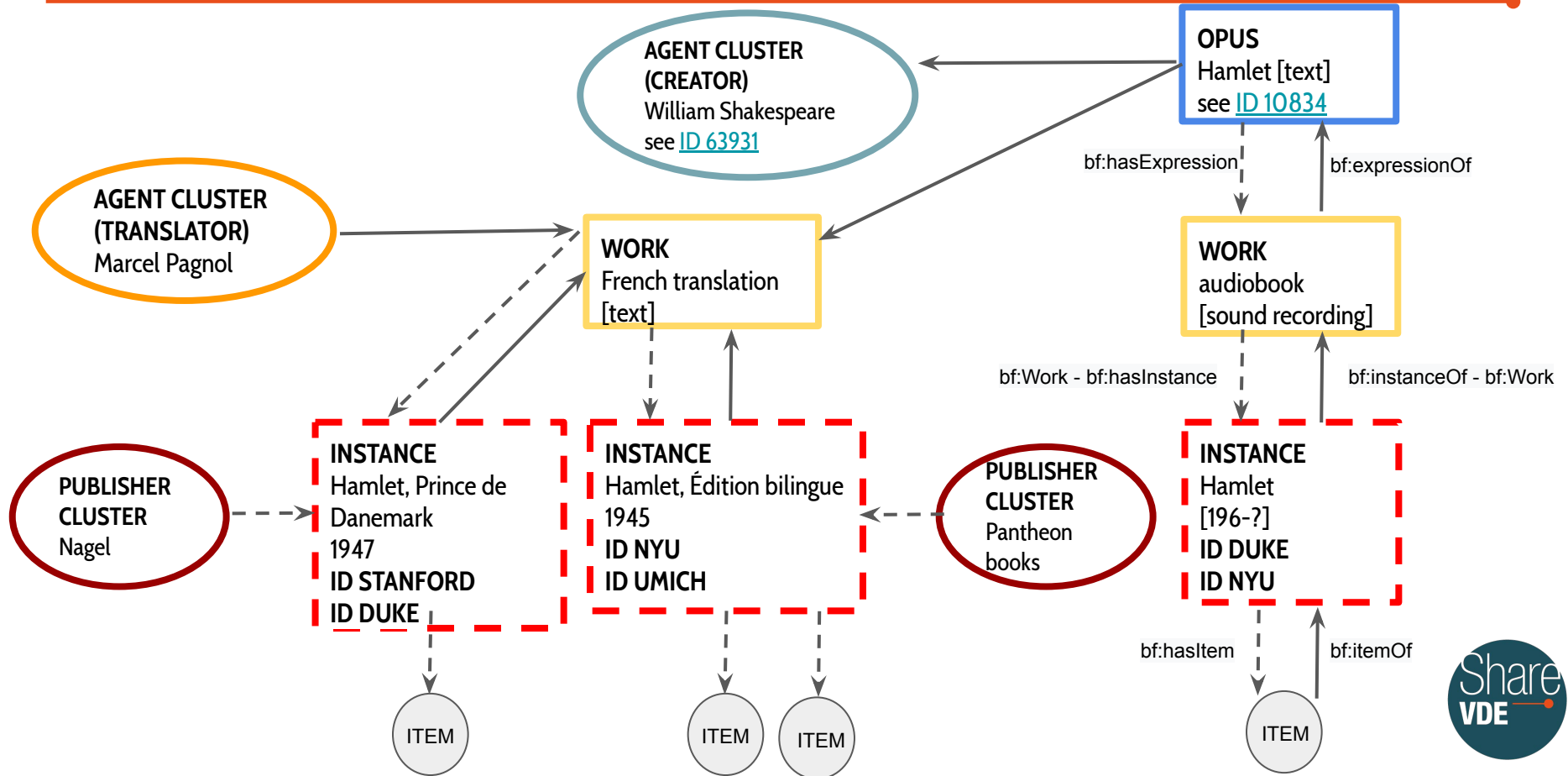
Share-VDE Sapientia Entity Identification (SEI) Working Group decision of June 10th 2020:

Resource that is a **svde:Opus** is also a **bf:Work**
 Likewise resource that is a **svde:Work** is also a **bf:Work**

See the [SVDE entity model compared to BIBFRAME and IFLA-LRM](#) and an [example of application of the model](#).



Share-VDE model (simplified version)





Virtual
Discovery
Environment

http://bit.ly/Comparison_LRM-BF-SVDE

<https://wiki.svde.org>